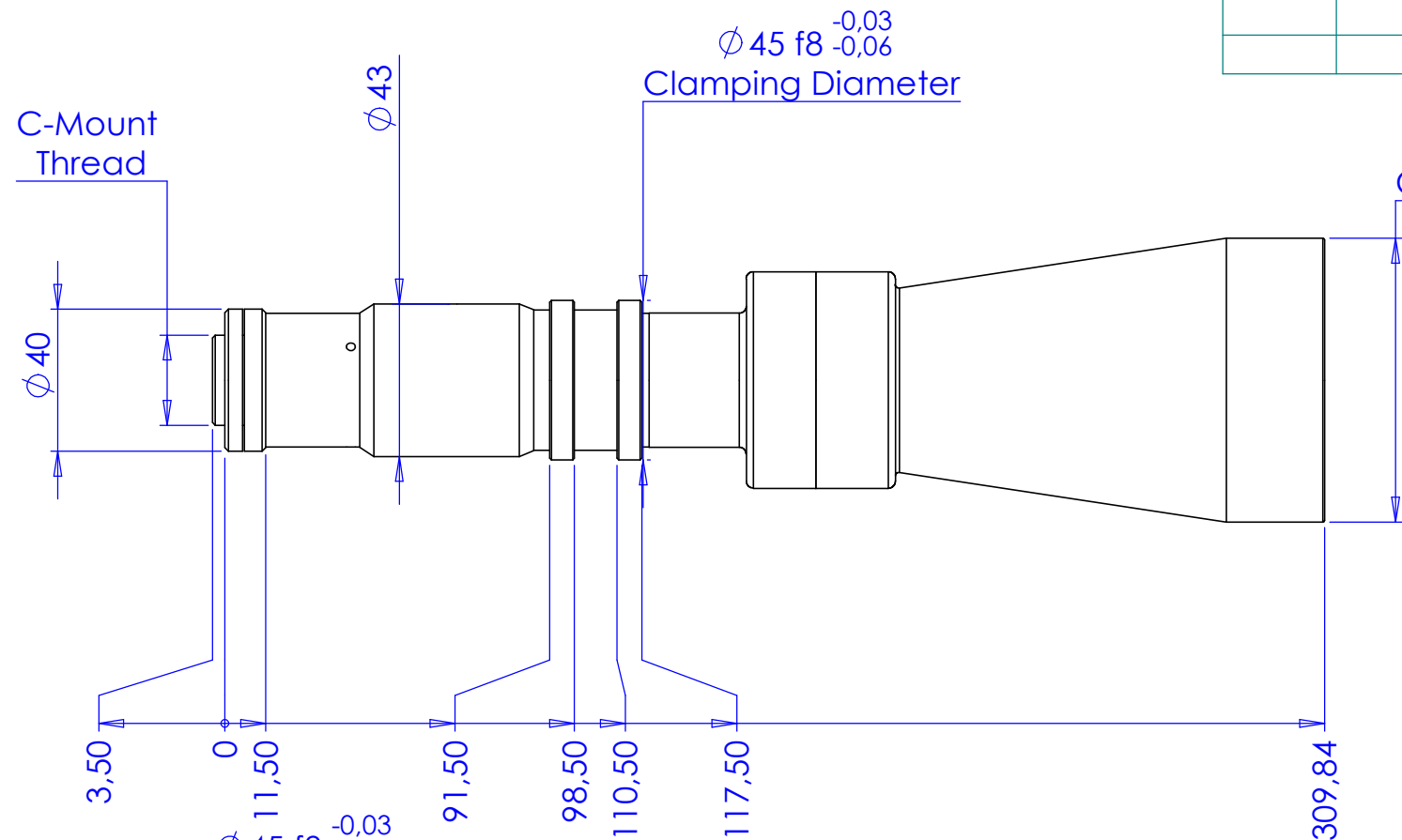
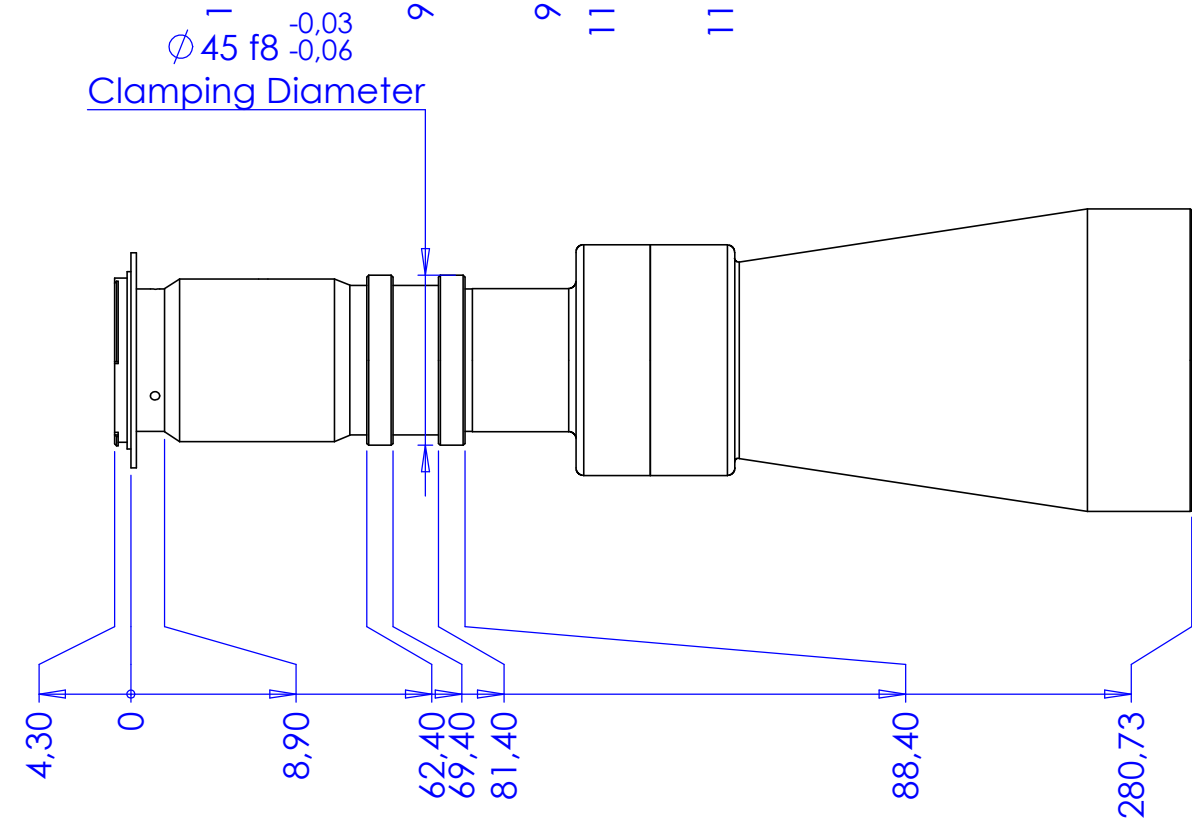


Rev No.	Description	Date	Name
A	New Part	05/05/2003	A.Vismara



TC 2M 56/C  
C-Mount



TC 2M 56/F  
F-Mount

Material	N.A.			Mass	937 g	Scale	1:2	
Surface treatment	N.A.			Project-Prod.item/Instrument		TC 2M 56		
Geometrical tolerance (ISO 2768-2)			Class	K	Description			
Linear tolerance (ISO 2768-2)			Class	m	Undimensioned bevels	0.5x45°		
0.5	>3±	>6±	>30±	>120	>400±	>1000	>2000	
±3	6	30	120	±400	1000	±2000	±4000	
±0.1	±0.1	±0.2	±0.3	±0.5	±0.8	±1.2	±2	
					Undimensioned radii	R 0.5		
			Date	Name	Drawing No.			
			Designed	17/07/2006	A.Vismara	21586-0-A		Sheet
			Draw	17/07/2006	A.Vismara			1/1
			Checked	X	C. Sedazzari	Reproduction forbidden without specific authorization		
OPTO ENGINEERING S.r.l. - 46100 Mantova Italy - Via Cremona, 29/2 - Tel. +39 0376 263525 - e-mai: info@opto-engineering.com - http://www.opto-engineering.com								